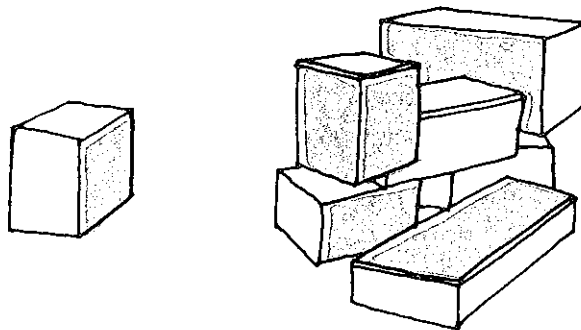
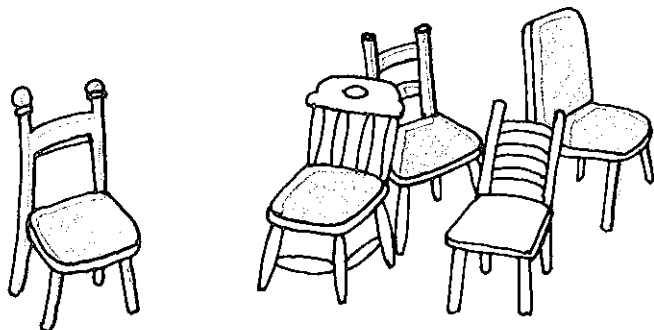




Most plural nouns are formed by adding **s** to the singular noun.
Singular nouns ending with **s**, **sh**, **ch**, **x**, or **z** are made plural by adding **es**.

SINGULAR NOUN + S

SINGULAR NOUN + ES



chair + s

chairs

box + es

boxes

DIRECTIONS: Write the plural of each singular noun below by adding **s** or **es**.

EXAMPLES: porch porches

dog dogs

1. boat _____

7. waltz _____

2. church _____

8. bridge _____

3. table _____

9. window _____

4. kiss _____

10. eyelash _____

5. clock _____

11. teacher _____

6. cloud _____

12. fox _____